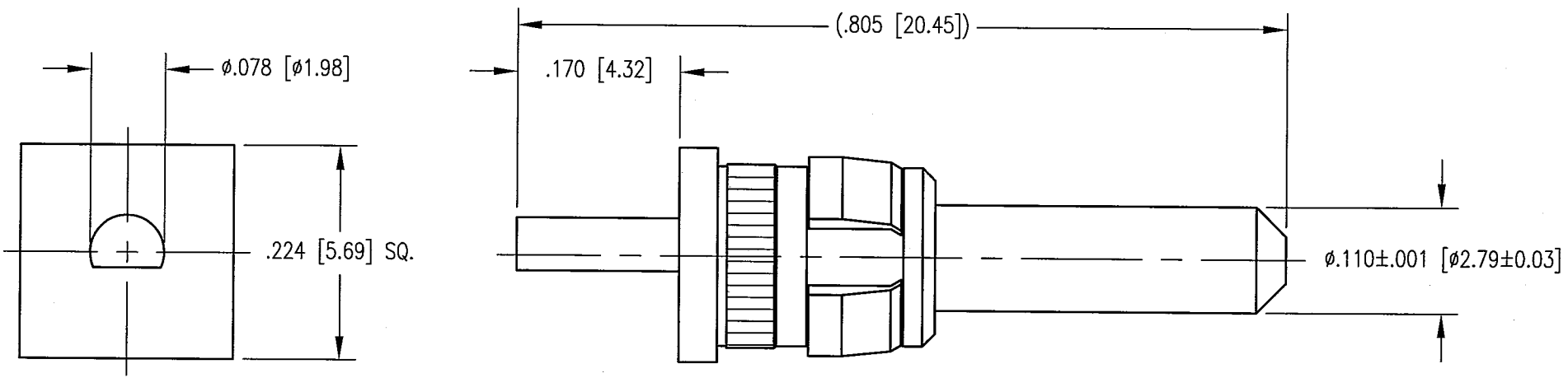


DWG. NO.		220-010-0046G	
REV	DESCRIPTION	BY DATE	APPD
A	RELEASE PER ECR 7461	9/19/02	[Signature]



NOTES:

- MATERIALS:
 BODY: BRASS PER ASTM B16
 CLIP RING: BERYLLIUM COPPER PER ASTM B194
- FINISH:
 BODY: .000030 MIN. GOLD PER MIL-G-45204 OVER
 .000050 MIN. NICKEL PER ASTM QQ-N-290
 CLIP RING: .000100 MIN. NICKEL PER QQ-N-290 OVER
 COPPER FLASH

PER ASME Y14.5M-1994 UNLESS OTHERWISE SPECIFIED: DIMENSIONS ARE IN INCHES [MM]		NORTHROP GRUMMAN	
TOLERANCES: DECIMALS .XX ± .01 [0.254] XXX ± .005 [0.127] ANGLES ± 2°		Winchester Electronics 400 Park Road Watertown, CT 06795	
CUSTOMER DRAWING		TITLE FIRST MATE RDM PLUG	
SCALE: 6:1			
DRAWN JWH	DATE 4/20/01	CHECKED JED	DATE 11/08/01
APPROVED JEM	DATE 11/08/01	APPROVED KJT	DATE 11/08/01
A	220-010-0046G	SHT. 1	OF 1 REV. A